

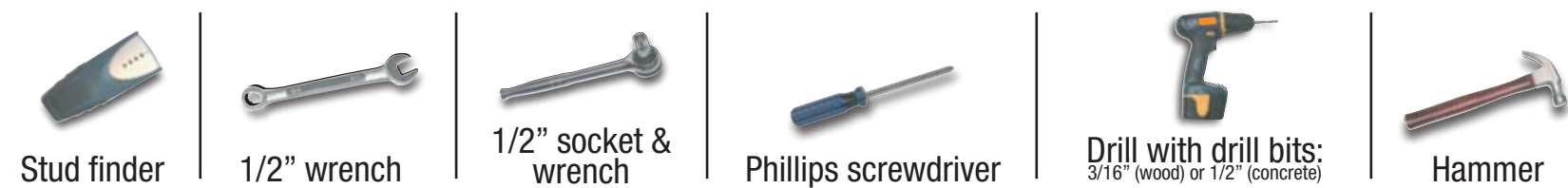


VMT37-60S

INSTALLATION INSTRUCTIONS

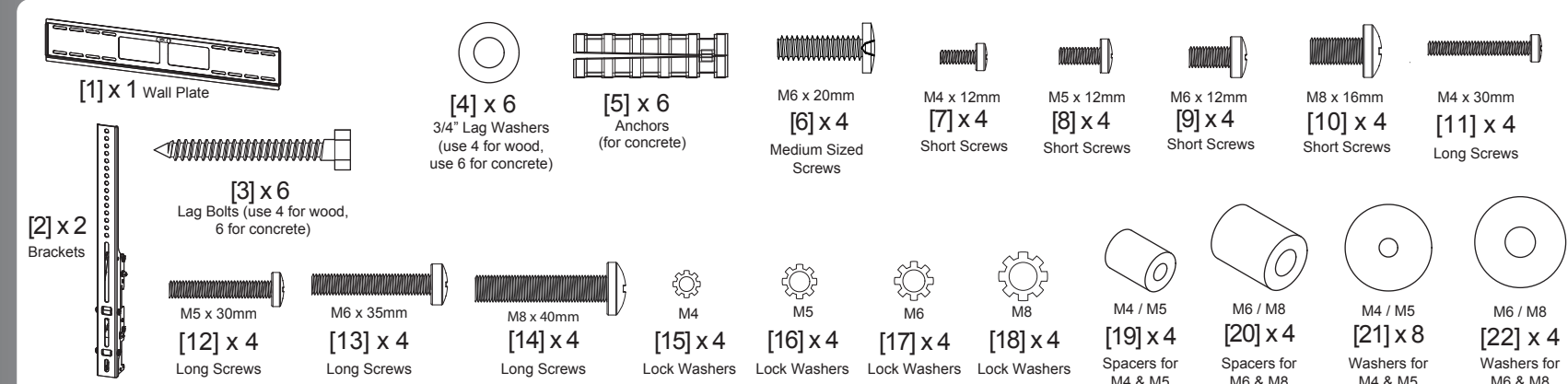
www.VIZIO.com

▶ TOOLS NEEDED



▶ PACKAGE CONTENTS

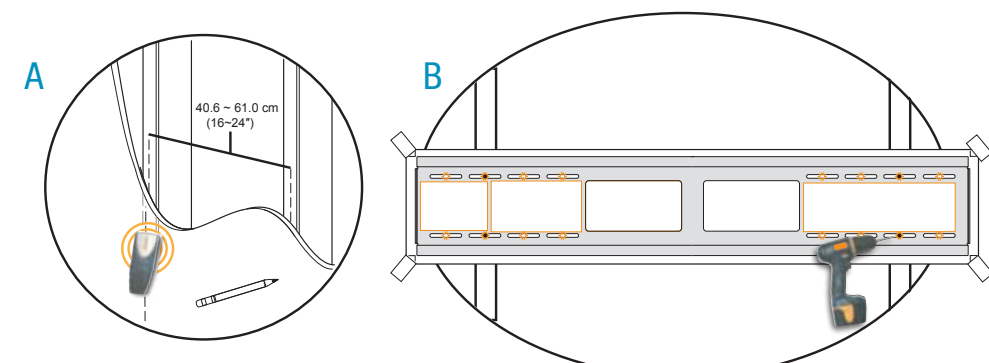
Before starting installation, verify that all parts are included and undamaged. If any parts are missing or damaged contact customer service at (877) 698-4946. Not all hardware included with the wall mount is needed depending on your setup.



1 DRILL HOLES

▶ WOOD STUD WALL

⚠ CAUTION: This product is not designed for use in metal stud walls.



Note: You must attach your TV wall mount to a wall that has at least 2" x 4" wood studs to avoid property damage or injury.

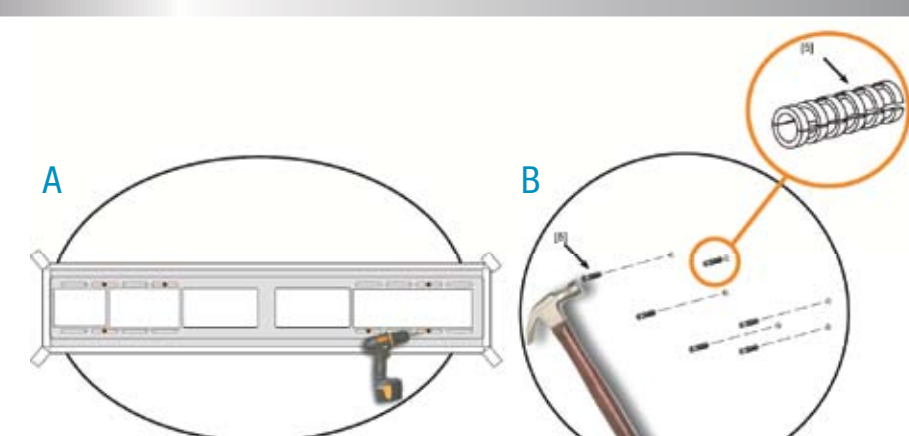
A. LOCATE WALL STUDS

- Using a stud finder, locate two wood studs that are 16" to 24" apart.
- With a pencil, mark the location of the studs.

B. MARK & DRILL HOLES

- Tape this poster to the wall so the holes align with the studs. Hold the wall plate [1] up to the poster and use the built-in level to make sure the poster is level. Put the wall plate [1] aside.
- Drill 4 holes 2-1/2" deep in the studs using a 3/16" drill bit. Remove the poster.

▶ CONCRETE WALL



A. MARK & DRILL HOLES

- Tape this poster to the wall. Hold the wall plate up to the poster and use the built-in level to make sure it is level. Put the wall plate aside.
- Drill 6 holes 2-1/2" deep where indicated using a 1/2" masonry bit. Remove the poster.

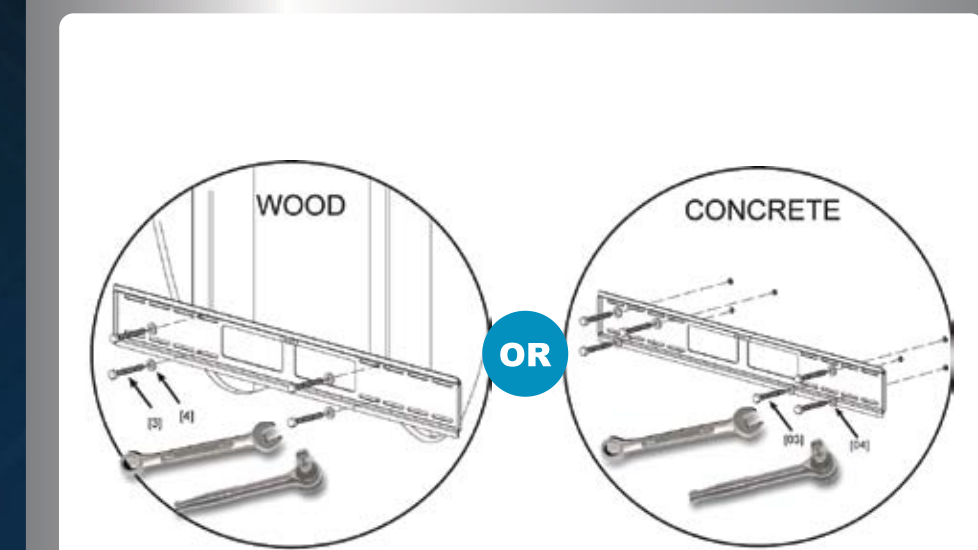
B. INSTALL ANCHORS

- Install the provided anchors [5] in the holes, using a hammer to tap flush with the wall so that the hinged end faces out.

2 ANCHOR MOUNT TO WALL

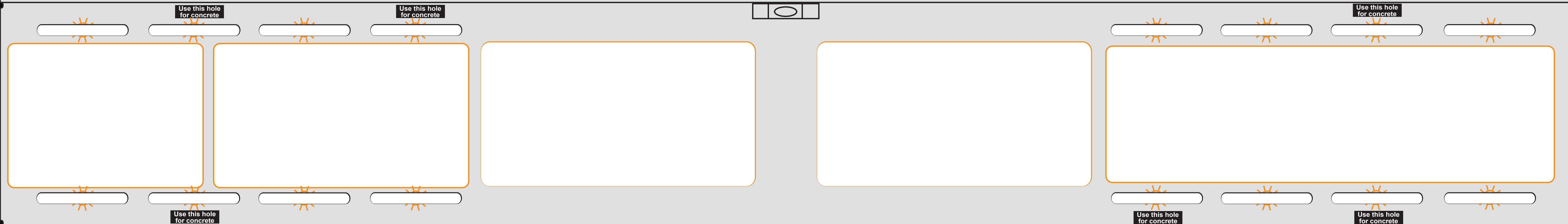
- Using a 1/2" wrench or socket, attach the wall plate to the wall with the supplied lag bolts and washers [3] & [4].
- Check the built-in level before tightening the bolts. It is important to make sure the wall plate is level.

Note: Do not over tighten the lag bolts. Tighten only until they are firmly against the wall plate.



CONTINUED ON BACK →

ACTUAL SIZE TEMPLATE



3 ATTACH BRACKETS TO TV

A. Lay your TV face down on a clean, flat surface.

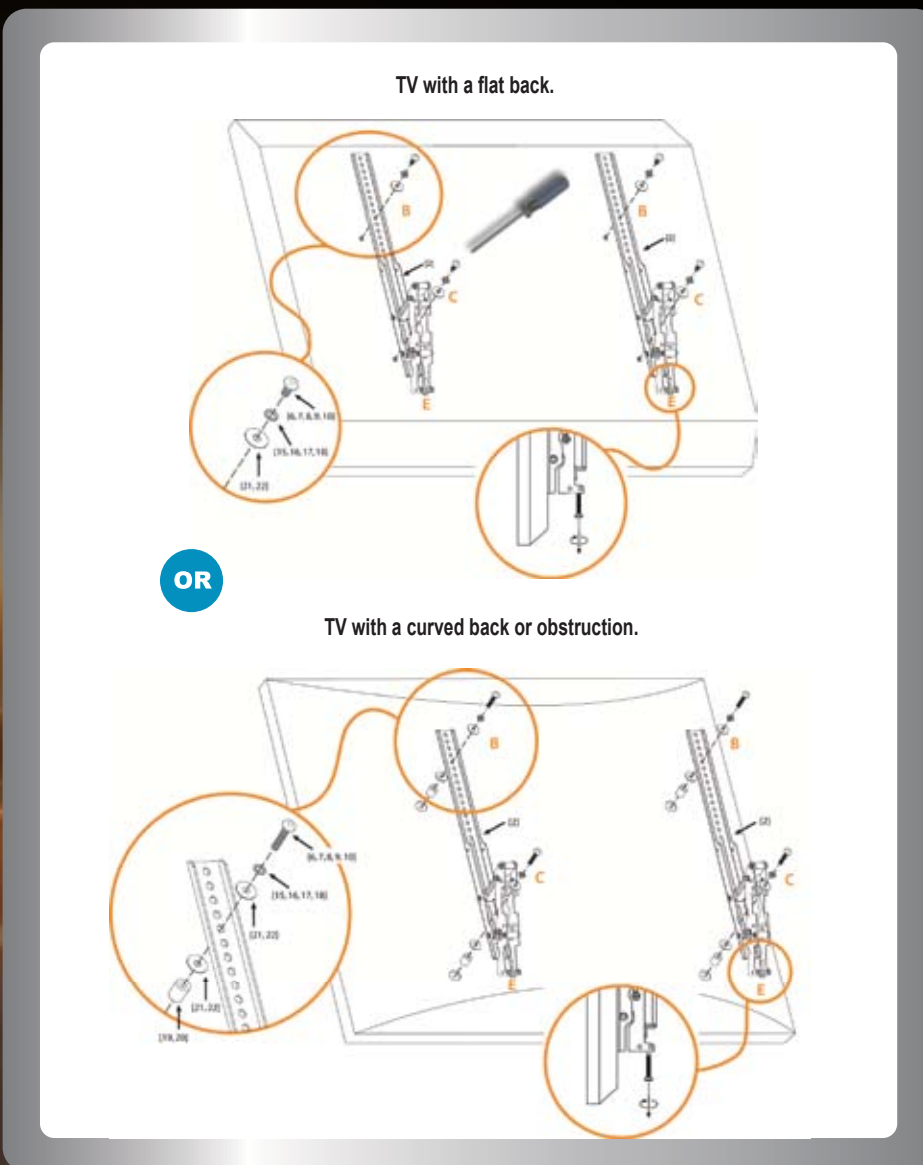
B. Insert the screws and washers into the desired holes in the brackets [2]. Use the screws provided with your TV if they hold the bracket securely, otherwise use the appropriate screws from those provided.

Caution: Using screws that are too long or too short can damage your TV. Use spacer [21] with M4 or M5 hardware only. Use spacer [22] with M6 or M8 hardware only. Depending on the depth of your TV mounting holes, spacers [19] and [20] may be necessary.

C. Raise the hinged part of the bracket to reveal the hole in the elongated opening and then insert the screws and washers.

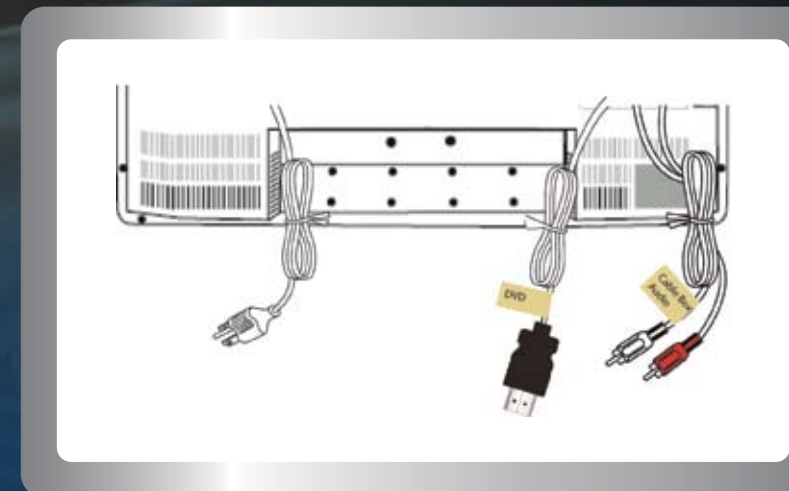
D. Fully tighten the screws.

E. Loosen both safety screws from the bottom of each bracket.



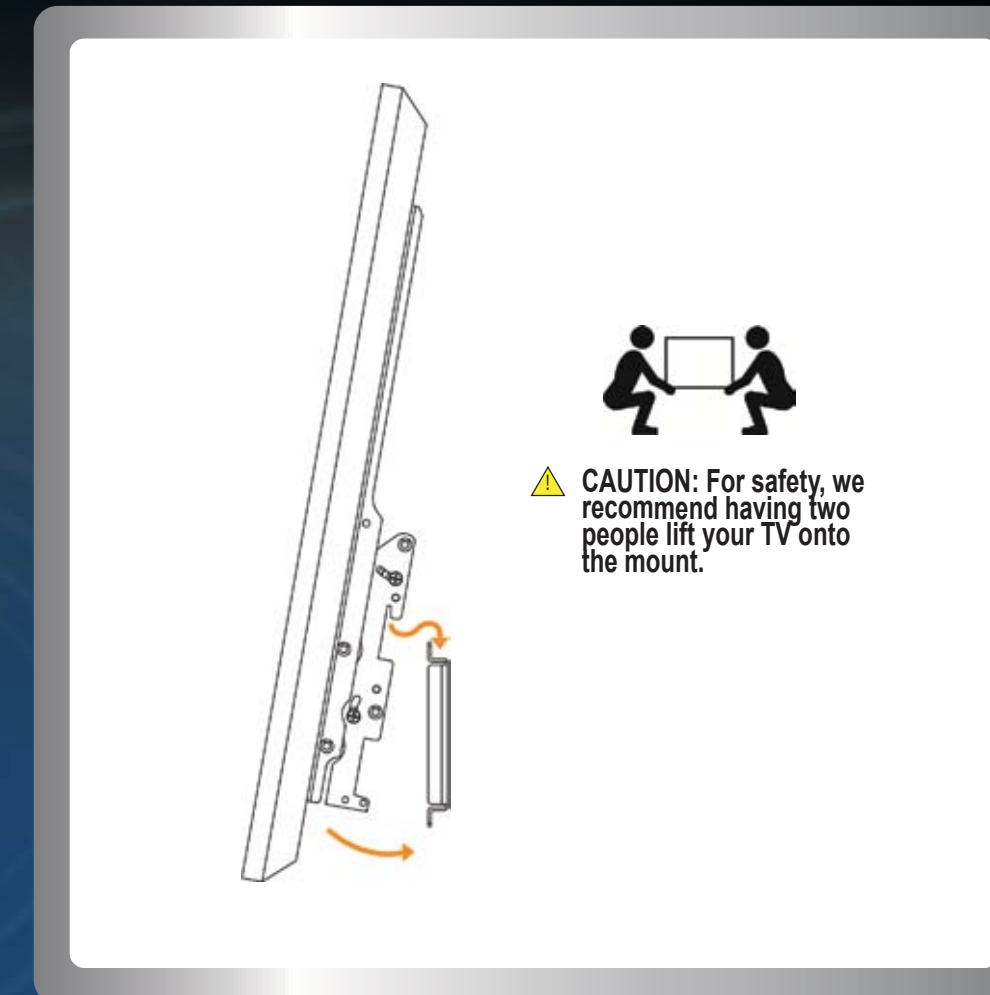
4 CONNECT CABLES TO TV

See the documentation that came with your TV to connect the cables needed for any device (i.e. DVD player, cable box, etc.) you want to connect to your TV. **Do not connect the other end of the cables to the devices yet.** You will do that after your TV is mounted on the wall.



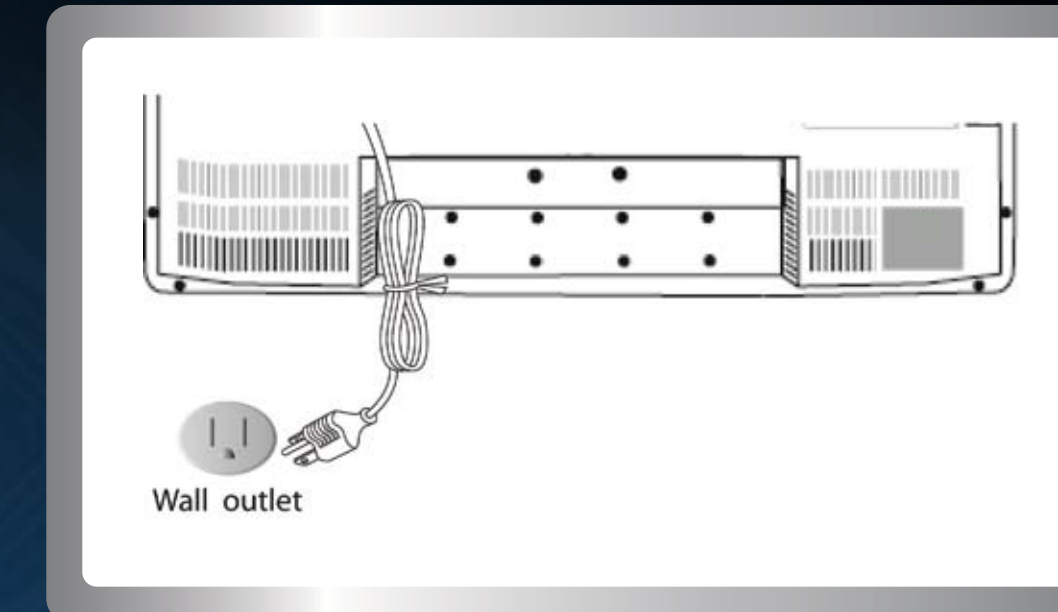
TIP: Create and attach labels to the cables, identifying the cables to make it easier to later connect the cables to the devices.

5 ATTACH TV TO WALL PLATE



CAUTION: For safety, we recommend having two people lift your TV onto the mount.

6 CONNECT CABLES AND POWER

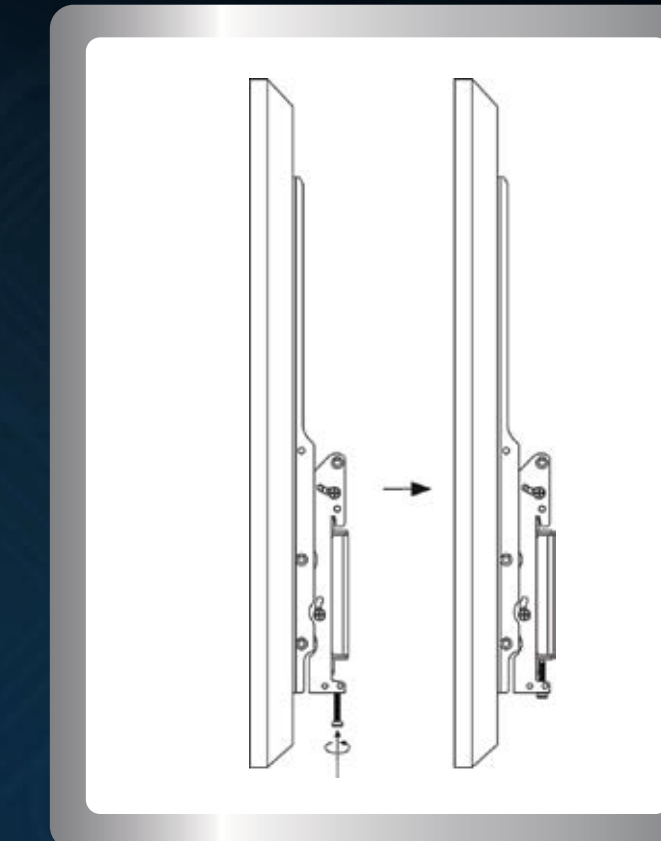


A. Connect the other ends of the cables that are hanging from your TV to the appropriate devices (i.e. DVD player, cable box, etc.).

B. Connect the other end of the TV power cable into a wall outlet.

7 TIGHTEN SAFETY SCREWS

Tighten safety screws using a Phillips screwdriver.



ADD TO YOUR HOME THEATER EXPERIENCE

Visit www.VIZIO.com to review our full line of HDTVs and certified accessories or call 888-849-4623 for more information.



VIZIO VF551XVT

LED technology brought to you by VIZIO! Experience truly stunning video with a 2,000,000:1 contrast ratio and Smart Dimming for darker blacks, 240Hz spsTM† for smooth motion transitions and 1080p Full High-Def for sharp clarity – plus enveloping sound with SRS TruSurroundTM HD and SRS TruVolumeTM audio technologies.

†240Hz sps displays 240 scenes per second by combining advanced 120Hz technology with scanning back light details.



VIZIO BLU-RAY™

Bring your movies to life! 1080p Full HD playback delivers crystal clear images with lifelike detail and High Definition Audio puts you in the center of the action.



HIGH-DEFINITION SOUND

Complete your total Home Theatre experience with stunning audio from VIZIO accessories such as the Sound Bar with Wireless Subwoofer.

IMPORTANT SAFETY INSTRUCTIONS

- Review the entire installation/user's manual and these important Safety Instructions before attempting to install or use this mounting system.
- The manufacturer is not liable for damage or injury caused by incorrect mounting, assembly, or use. The TV must not be larger than 60 inches (152cm) or weigh more than 150 lbs (68 kg).
- Attaching a TV that is heavier than the maximum weight specified above may result in instability and possible personal injury.
- Only attach this mounting system on vertical walls as instructed in the installation/user's manual.
- This product is not designed for use in metal stud walls.
- If you have any doubts about the ability of the wall to support the TV and the mounting system, contact a qualified contractor.
- This product contains small items that could be a choking hazard if swallowed. Keep these items away from children.
- Do not run any wires and/or cables near moving parts of this mounting system.

EXTENDED WARRANTIES

Protect your VIZIO product with up to 5 years of added repair service! Extended coverage begins when the manufacturer's warranty expires so you'll receive maximum protection!

Visit us online at:
www.VIZIO.com

or Call:
(888) 849. 4623

For more info on Extended Warranties