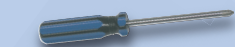


### Tools Needed



7/16" Wrenches



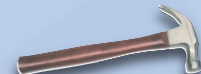
Phillips Screw Driver



Adhesive Tape



Stud Finder



Hammer

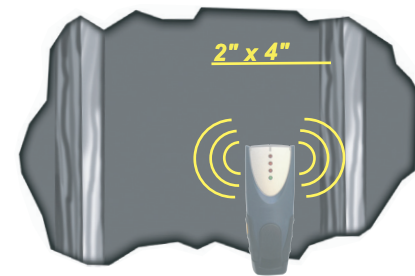


Drill with 3/16" bit  
(Wood Studs)

1/2" Masonry Bit  
(Concrete Wall)

### Wood Stud Wall

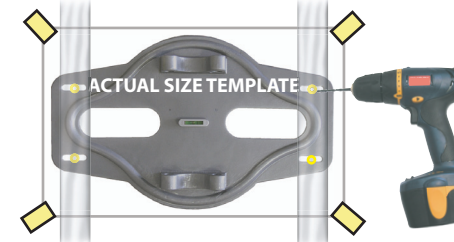
#### 1 Locate Wall Studs



You must attach the TV wall mount to a wall that has at least 2" x 4" wood studs to avoid property damage or injury.

#### 2 Drill Mounting Holes in Wall

a. Turn this poster over and tape it to the wall so holes align with studs. Hold the mount up to the poster and use the built-in level to ensure that it is level.

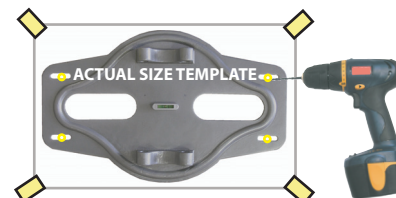


b. Drill 4 holes into studs with a 3/16" drill bit, 2-1/2" deep.

### Concrete Wall

#### 1 Drill Mounting Holes in Wall

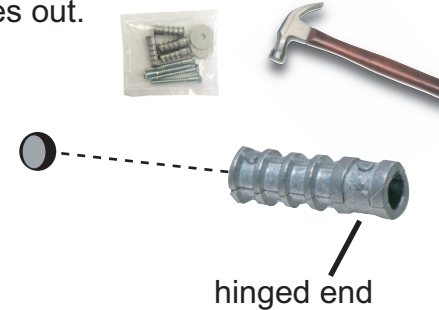
a. Turn this poster over and tape it to the wall. Hold the mount up to the poster and use the built-in level to ensure that it is level.



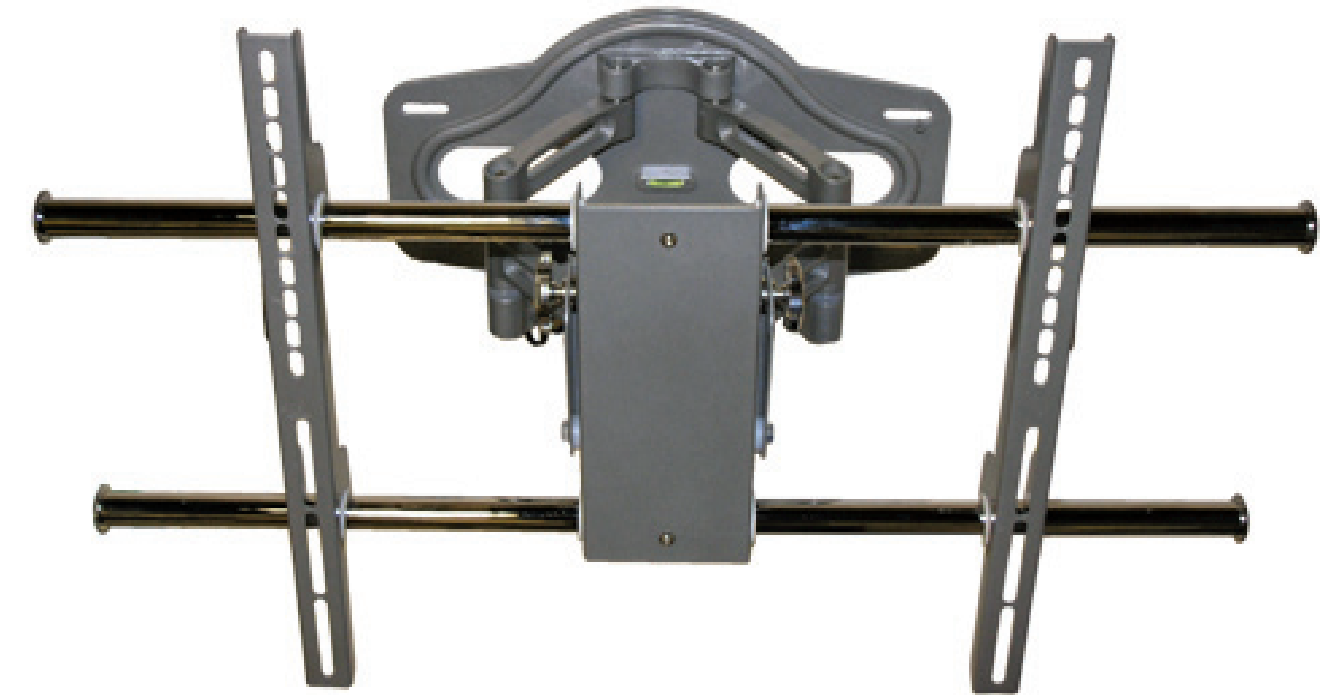
b. Drill 4 holes with a 1/2" masonry bit, 2-1/2" deep where indicated.

#### 2 Install Four Anchors

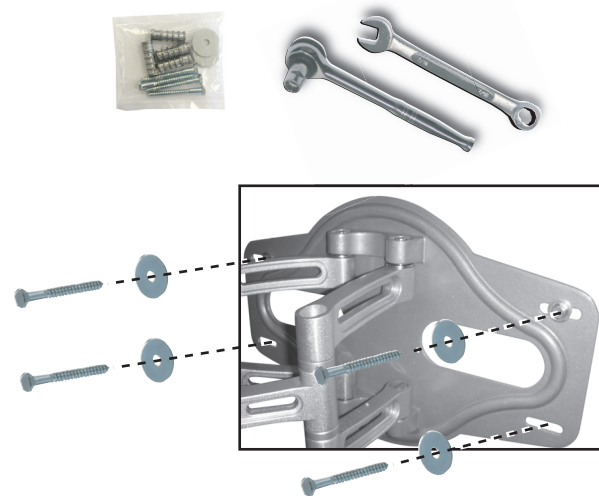
Install the provided anchors in the holes, flush with the wall, so that the hinged end faces out.



# K3-A2-S Installation



#### 3 Anchor Mount to Wall

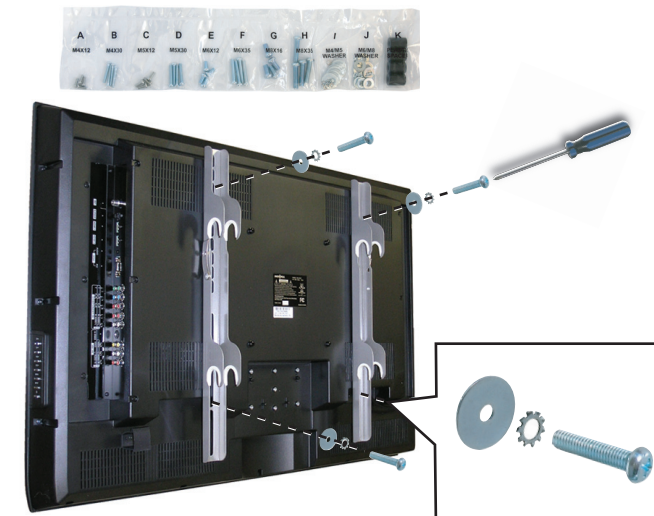


Using a 7/16" wrench, attach the mount to the wall with the supplied lag bolts and washers.

Use the built-in level before tightening the bolts.

#### 4 Attach Mounting Brackets

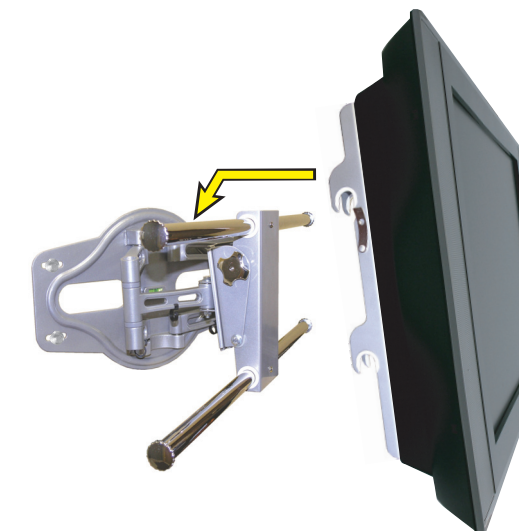
If the bolts that came with your TV hold the bracket securely, use them. If not, use the provided bolts. Use the bolt, lock washer and then the flat washer in that order.



The bracket hooks must be on the top and the security levers must face the screen edge.

#### 5 Hang the Screen

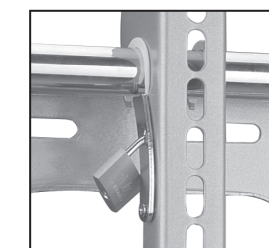
Use at least two people to hang the screen on the mount.



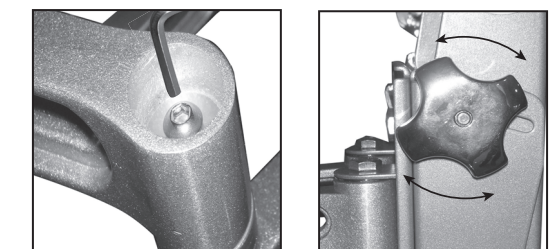
**WARNING:** The screen must not exceed the maximum load weight of 130 lbs.

#### 6 Secure the Mount

Engage the security levers on each bracket. If needed, lock them with a padlock.



Adjust the tilt and stiffness of the joints.



[www.k2mounts.com](http://www.k2mounts.com)